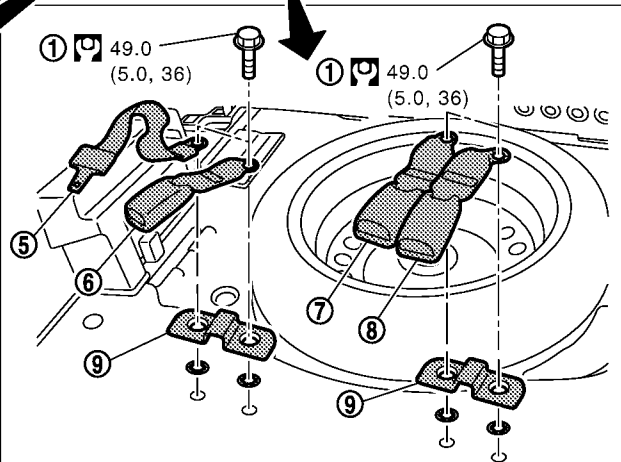
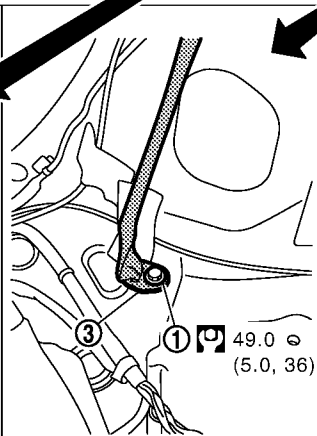
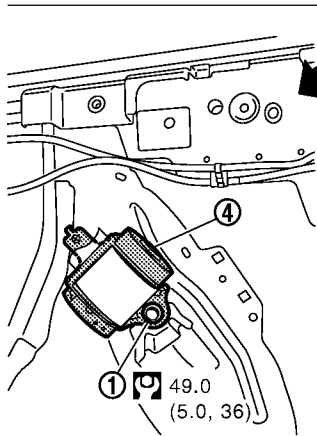
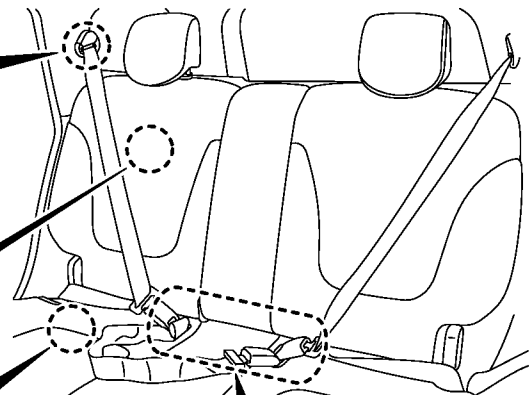
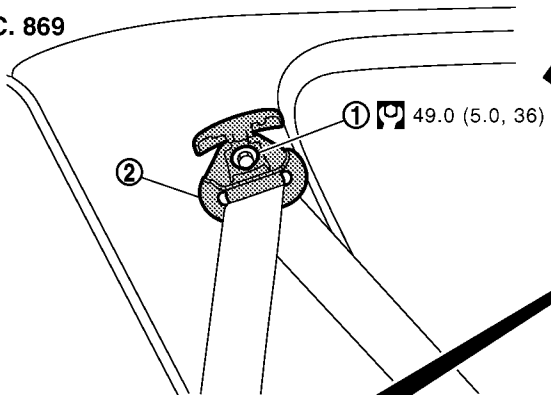


SEC. 869



: N·m (kg-m, ft-lb)