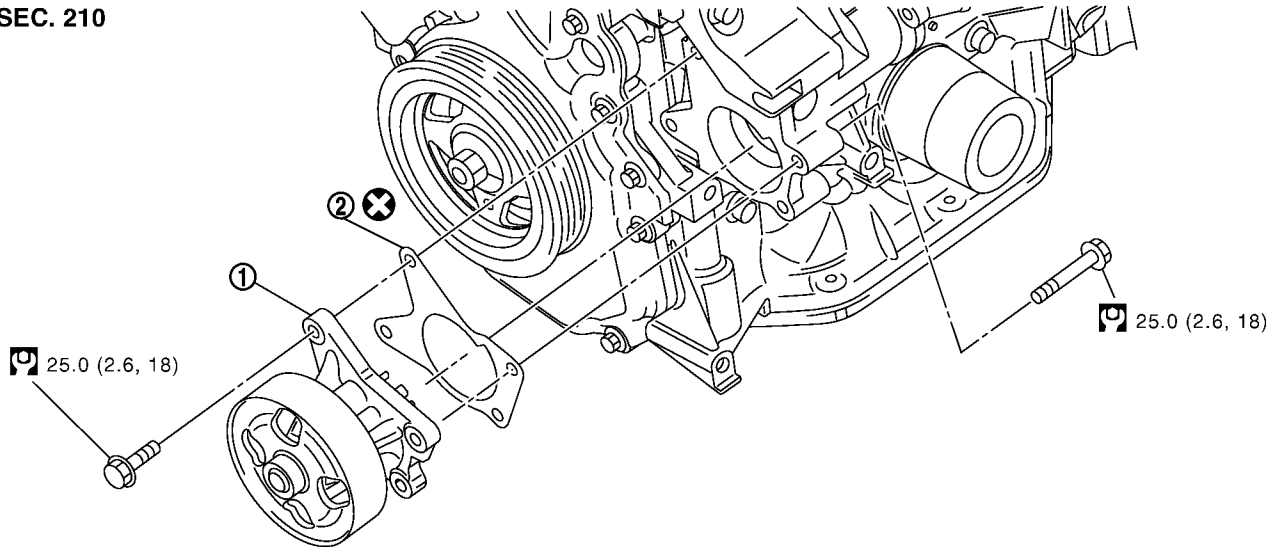





SEC. 210



 25.0 (2.6, 18)

 25.0 (2.6, 18)

 : N•m (kg-m, ft-lb)