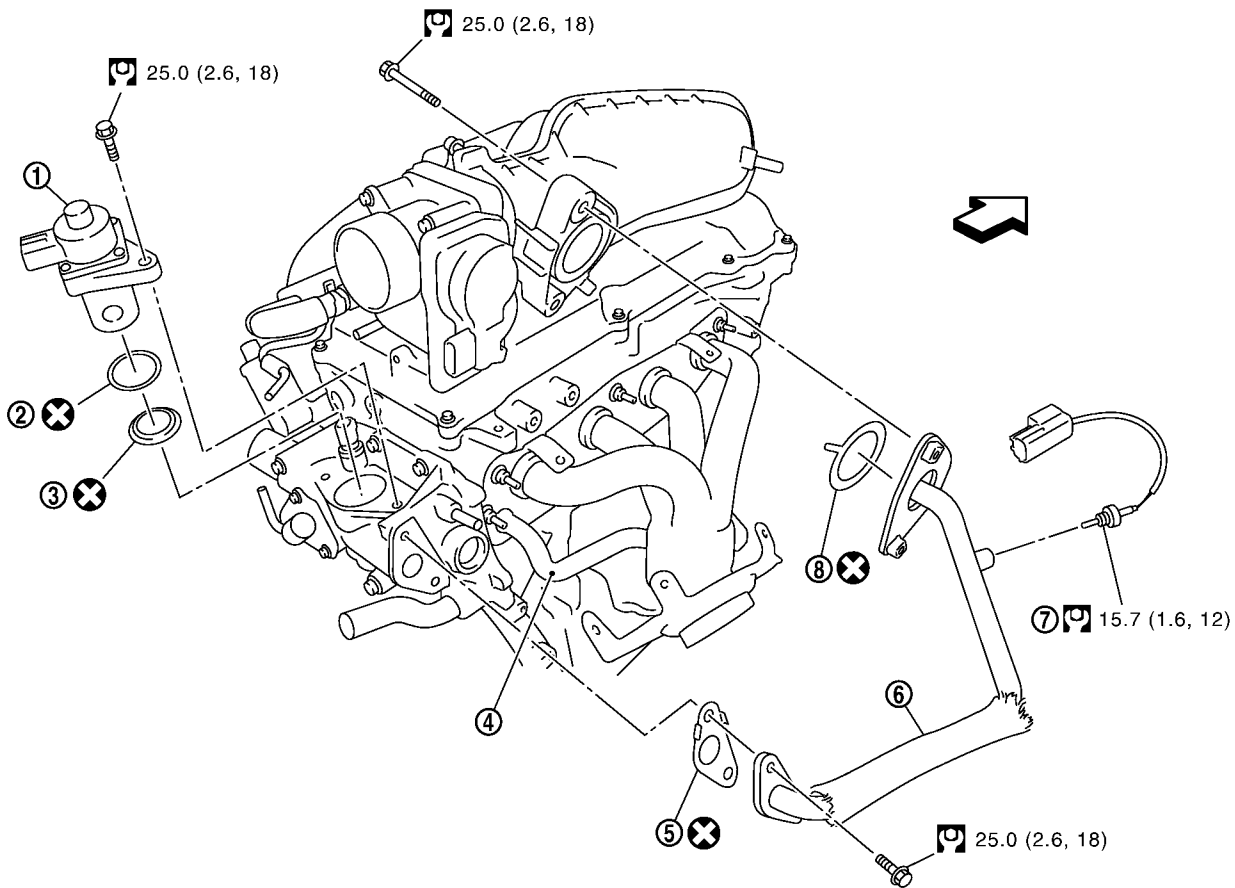



SEC. 140•147



 : N•m (kg-m, ft-lb)