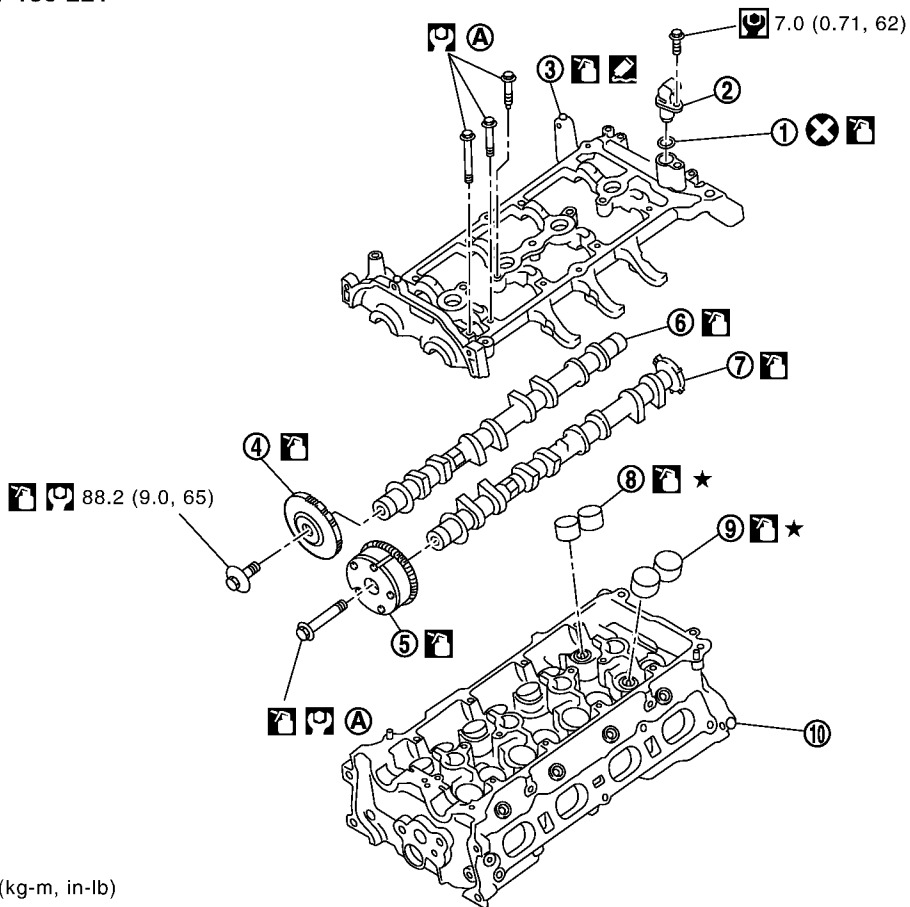


SEC. 111•130•221



: N•m (kg-m, in-lb)

: N•m (kg-m, ft-lb)